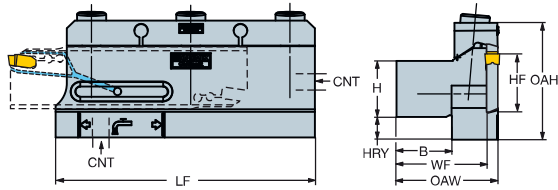
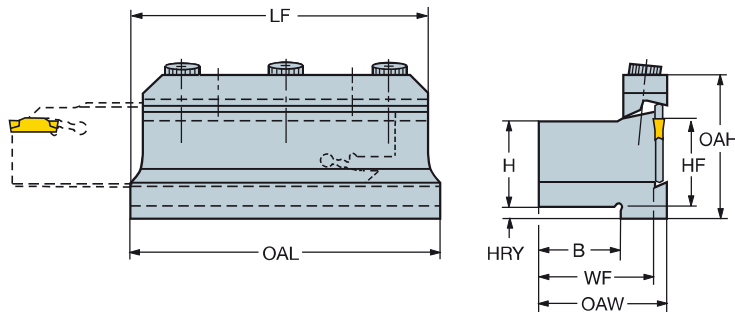


Gereedschapsblokken voor bladen



															Afmetingen, mm	
CZC _{MS}	CZC _{WS}	OHX	CNSC	CXSC	Bestelnummer	B	H	LF	WF	HF	OAW	OAH	RADW	CNT	(BAR)	(KG)
20 x 20	21L	5.0	2	2	BA-LGC2020-21M	20.0	20.0	85.0	34.0	20.0	39.0	46.0	39.0	G 1/8-28	70	0.7
	25L	5.0	2	2	BA-LGC2020-25M	20.0	20.0	115.0	35.0	20.0	40.0	51.0	40.0	G 1/8-28	70	1.1
	21R	5.0	2	2	BA-RGC2020-21M	20.0	20.0	85.0	34.0	20.0	39.0	46.0	39.0	G 1/8-28	70	0.7
	25R	5.0	2	2	BA-RGC2020-25M	20.0	20.0	115.0	35.0	20.0	40.0	51.0	40.0	G 1/8-28	70	1.1
25 x 25	21L	5.0	2	2	BA-LGC2525-21M	25.0	25.0	85.0	39.0	25.0	44.0	48.0	44.0	G 1/8-28	70	0.9
	25L	5.0	2	2	BA-LGC2525-25M	25.0	25.0	115.0	40.0	25.0	45.5	52.0	45.5	G 1/8-28	70	1.3
	21R	5.0	2	2	BA-RGC2525-21M	25.0	25.0	85.0	39.0	25.0	44.0	48.0	44.0	G 1/8-28	70	0.8
	25R	5.0	2	2	BA-RGC2525-25M	25.0	25.0	115.0	40.0	25.0	45.5	52.0	45.5	G 1/8-28	70	1.3
32 x 32	25L	5.0	2	2	BA-LGC3232-25M	32.0	32.0	115.0	46.0	32.0	52.5	54.0	52.5	G 1/8-28	70	1.6
	45L	5.0	2	2	BA-LGC3232-45	32.0	32.0	155.0	47.0	45.0	55.0	77.0	55.0	G 1/8-28	70	2.9
	25R	5.0	2	2	BA-RGC3232-25M	32.0	32.0	115.0	46.0	32.0	52.5	54.0	52.5	G 1/8-28	70	1.6
	45R	5.0	2	2	BA-RGC3232-45	32.0	32.0	155.0	47.0	45.0	55.0	77.0	55.0	G 1/8-28	70	2.9
40 x 40	45L	5.0	2	2	BA-LGC4040-45	40.0	40.0	155.0	55.0	45.0	63.0	77.0	63.0	G 1/8-28	70	3.5
	45R	5.0	2	2	BA-RGC4040-45	40.0	40.0	155.0	55.0	45.0	63.0	77.0	63.0	G 1/8-28	70	3.5



															Afmetingen, mm	
CZC _{MS}	CZC _{WS}	OHX	DSGN	Bestelnummer	B	H	LF	WF	HF	OAW	OAH	RADH	RADW	(KG)		
20 x 20	21	5.0	1	151.2-2020-21M	20.0	20.0	80.0	33.0	20.0	38.0	45.5	20.0	13.4	0.6		
	25	5.0	1	151.2-2020-25	20.0	20.0	120.0	33.1	25.0	38.1	52.5	20.0	13.5	1.0		
25 x 20	21	5.0	1	151.2-2520-21	20.0	25.0	80.0	33.1	25.0	38.1	45.5	25.0	13.5	0.6		
	25	5.0	1	151.2-2520-25	20.0	25.0	120.0	33.0	25.0	38.0	52.5	25.0	13.4	1.1		
32 x 32	25	5.0	1	151.2-3232-25	32.0	32.0	120.0	45.0	32.0	50.0	54.5	32.0	13.4	1.6		
	45	5.0	1	151.2-3232-45	32.0	32.0	160.0	45.0	32.0	52.0	82.5	32.0	13.4	2.9		
40 x 40	45	5.0	1	151.2-4040-45	40.0	40.0	160.0	53.0	40.0	60.0	82.5	40.0	13.4	3.6		
	50 x 50	93	0.0	1	151.2-5050-93	50.0	50.0	178.0	68.5	50.5	78.1	152.3	50.0	13.5	8.2	

Ga voor reserveonderdelen naar www.sandvik.coromant.comR = Rechts, L = Links
Rechtse uitvoering afgebeeld

H36



H5